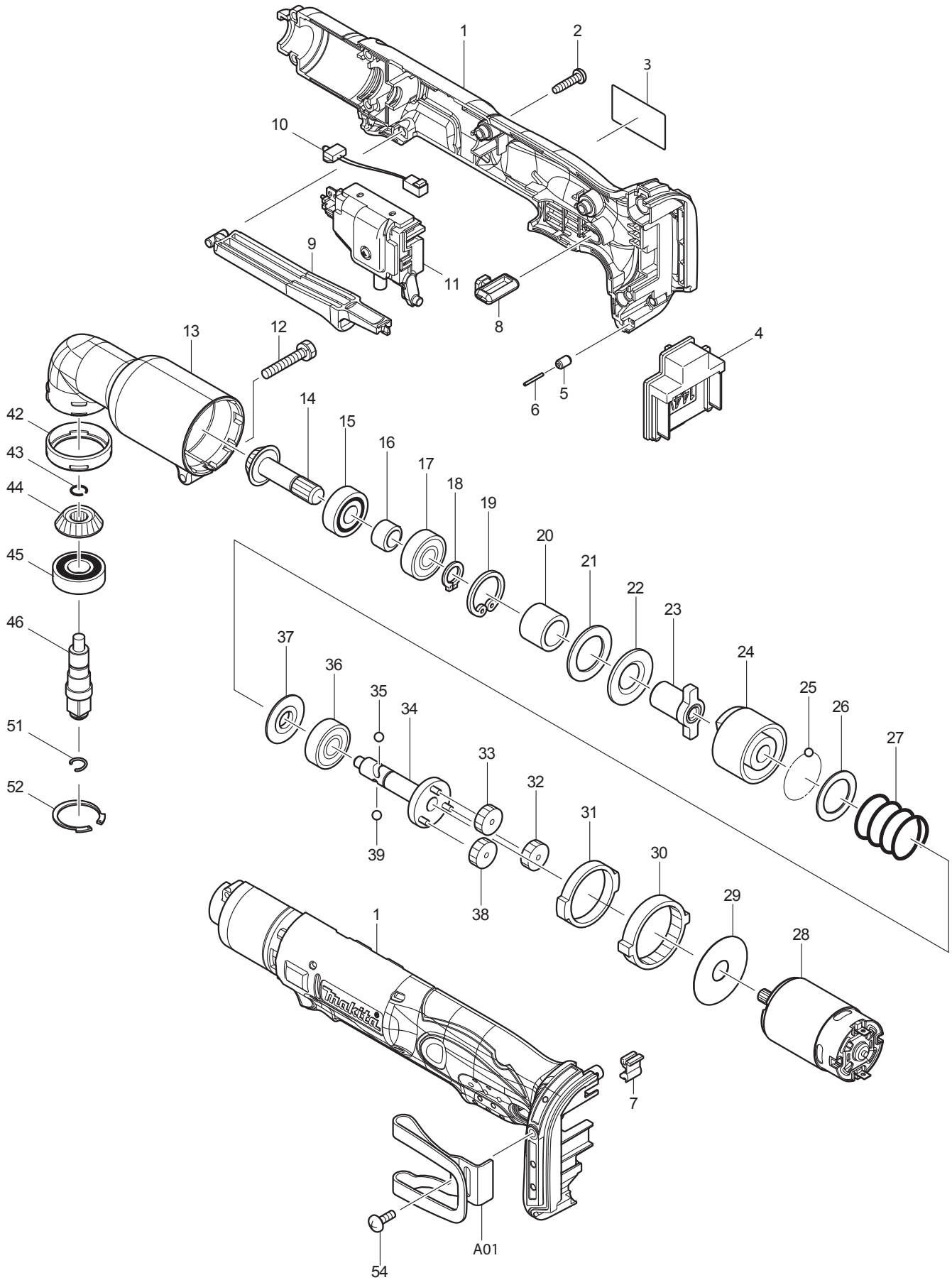




03 - 2014  
DTL063Z , DTL063F  
18V ANGLE IMPACT WRENCH



Item No	Type	Sub	Part No	Description	Qty	Unit
001			187889-4	HOUSING SET	1	SET
		INC.	263005-3	RUBBER PIN 6	2	PC.
	2	INC.	802J50-9	CAUTION LABEL (W/NO BATTERY NO.)	1	PC.
002			265995-6	TAPPING SCREW 4X18	8	PC.
003			815L75-6	NAME PLATE F/DTL063	1	PC.
004			643852-2	TERMINAL	1	PC.
005			263036-2	RUBBER PIN 5	1	PC.
006			268184-2	PIN 1.5	1	PC.
007			424026-2	CUSHION	1	PC.
008			450126-2	FR CHANGE LEVER	1	PC.
009			450125-4	SWITCH LEVER	1	PC.
010			631778-0	LED CIRCUIT	1	PC.
011			638885-0	SWITCH UNIT	1	PC.
012			265409-5	+ HEX. BOLT M5X30	1	PC.
013			152461-1	ANGLE HEAD COMPLETE	1	PC.
014			226720-0	ZEROL BEVEL GEAR 13	1	PC.
015			211064-1	BALL BEARING 6000	1	PC.
016			257660-1	SLEEVE 10	1	PC.
017			211061-7	BALL BEARING 6000LLB	1	PC.
018			961006-2	RETAINING RING S-10	1	PC.
019			962105-3	RETAINING RING R-26	1	PC.
020			257662-7	SLEEVE 15	1	PC.
021			261095-0	RUBBER WASHER 21	1	PC.
022			267120-5	FLAT WASHER 15	1	PC.
023			322689-7	ANVIL	1	PC.
024			322688-9	HAMMER	1	PC.
025			216001-0	STEEL BALL 3.5	22	PC.
026			267121-3	FLAT WASHER 20	1	PC.
027			233107-9	COMPRESSION SPRING 22	1	PC.
028			629846-1	DC MOTOR	1	PC.
029			267053-4	FLAT WASHER 12	1	PC.
030			226280-2	INTERNAL GEAR 69	1	PC.
031			257187-1	RING 32	1	PC.
032			226279-7	SPUR GEAR 29	1	PC.
033			226279-7	SPUR GEAR 29	1	PC.
034			154416-2	SPINDLE COMPLETE	1	PC.
035			216002-8	STEEL BALL 4.8	1	PC.
036			211064-1	BALL BEARING 6000	1	PC.
037			322719-4	WASHER 10	1	PC.
038			226279-7	SPUR GEAR 29	1	PC.
039			216002-8	STEEL BALL 4.8	1	PC.
042			424044-0	RUBBER RING 32	1	PC.
043			231990-8	RING SPRING 9	1	PC.
044			226721-8	ZEROL BEVEL GEAR 13	1	PC.
045			211131-2	BALL BEARING 6001DDW	1	PC.
046			324026-1	SPINDLE	1	PC.
051			231964-9	RING SPRING 7	1	PC.
052			962116-8	RETAINING RING R-28	1	PC.
054			251314-2	(+) SCREW M4X12(F/HOOK)	1	PC.
100			654069-2	RECEPTACLE	2	PC.
101			654281-4	RECEPTACLE	2	PC.
D01			533023-8	LEAD UNIT RED 110	1	PC.
D02			533024-6	LEAD UNIT RED 90	1	PC.

Item No	Type	Sub	Part No	Description	Qty	Unit
<b><u>ACCESSORIES</u></b>						
<b>- See Catalogue or visit <a href="http://www.makita.ca">www.makita.ca</a> for more accessories information -</b>						
A01			346449-3	HOOK	1	PC.
A02			-----	BATTERY CHARGER		
A03			-----	18V LI-ION BATTERY		
A04	1		824816-7	PLASTIC CARRYING CASE	1	PC.
	1	INC.	419360-3	HANDLE	1	PC.
	1	INC.	163455-1	LATCH	2	PC.
	2		141493-3	PLASTIC CARRYING CASE	1	PC.
	2	INC.	419360-3	HANDLE	1	PC.
	2	INC.	163455-1	LATCH	2	PC.
A05			-----	LI-ION BATTERY ACCESSORIES		
A06			-----	ANGLE DRILL ATTACHMENTS		

**SERVICE CHANGES**

**1. Changes on Switch, Terminal and Housing Set (Battery Protection Circuit)**

(T/I# 84038)

(T/I# 94691)

Item No.	Description	Type 1	Type 2	Type 3
4	Terminal	643812-4	643843-3	643852-2
11	Switch	650594-1		638885-0

Above parts are completely interchangeable as a set.

**Service Note:**

**Use TYPE 3 parts for repair of the model manufactured on or after March 2012 (June 2012 for Group 2 and 3) with using Yellow lead wire between Switch and Terminal.**

- Use TYPE 2 parts for repair of the model manufactured before March 2012 (June 2012 for Group 2 and 3) without using Yellow lead wire between Switch and Terminal.

**\*\* See Technical Information #94691 for Wiring Diagram Change**

**2. Changes on Hook**

Item No.	Description	Type 1	Type 2
A01	Hook	324705-1	346449-3

